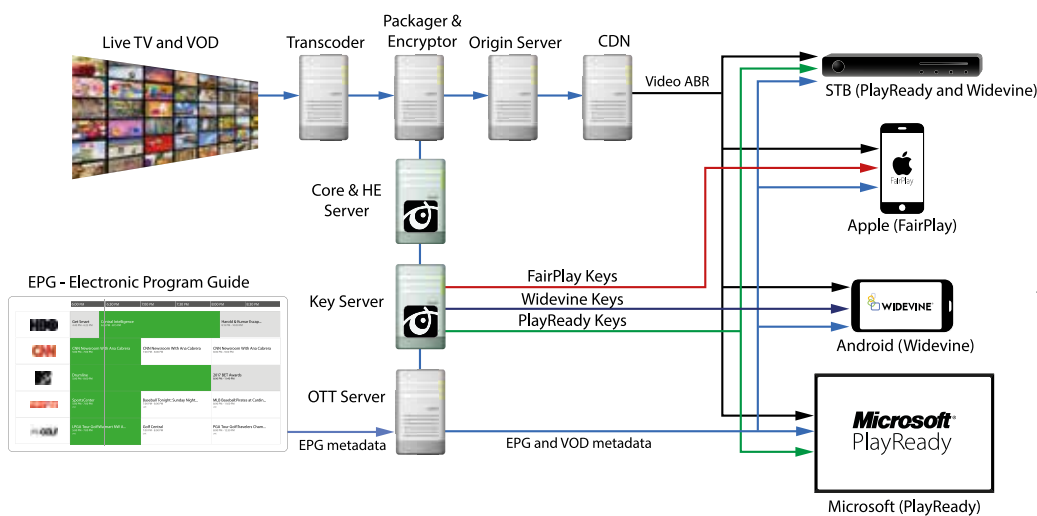




## Multi-DRM Solution for any size OTT Operator

The CryptoGuard Multi-DRM Solution offers any size OTT operator to cost-effectively manage content rights towards users and devices from the CryptoGuard head end. The settings of OTT functions such as start over, catch-up, limiting the number of simultaneous devices etc. are easily managed together with the broadcasted live TV streams. The solution supports DRM formats including Google Widevine, Apple FairPlay and Microsoft PlayReady enabling a highly secure content delivery. These DRMs are natively supported by the browser, mobile device or set top box and are approved by major studios.

### CryptoGuard Multi-DRM and OTT solution schematic overview



**Core & HE Server:** handles customers, channel packages and configuration.

**Key Server:** verifies the client requests and delivers the key to the user device for decryption of the content.



## Compatible Players



BITMOVIN



SHAKA PLAYER



EXOPLAYER



JW PLAYER



NEX PLAYER



THEO PLAYER

## Browsers



Chrome



Firefox



Internet Explorer



Microsoft Edge



Opera



Safari

## Devices



Google Chromecast

androidtv



## Features

Supports Microsoft PlayReady,  
Apple FairPlay and Google Widevine  
Supports Smooth streaming, DASH,  
MPEG4 and HLS profiles  
Supports on the fly encryption  
Most subtitle formats supported

Supports online and offline viewing  
Multi audio support  
Supports VMF, H264 and H265/HEVC  
Supports WMA, WAV, AAC, AAC-LC,  
HE-AAC v 1&2 and Dolby AC3 / AC3+

### CONTACT

Östermalmsgatan 101  
59160 MOTALA  
SWEDEN

Tel: +46 971 107 35  
sales@cryptoguard.com

[www.cryptoguard.com](http://www.cryptoguard.com)